

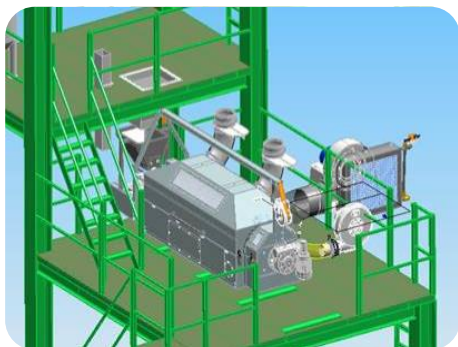
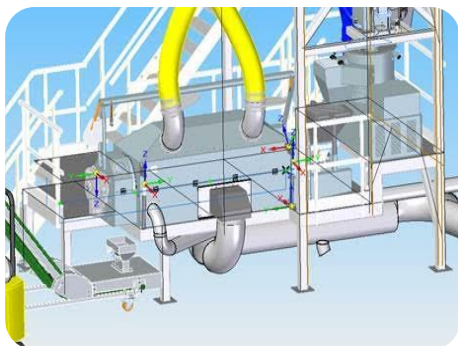
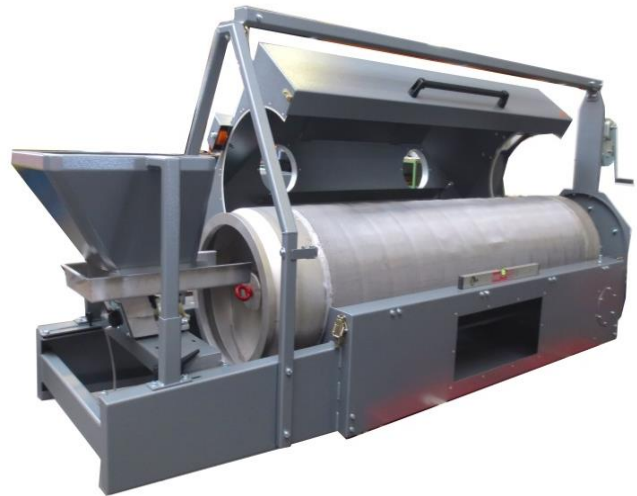


RFBD600 Hoopman Dryers

Drying Equipment

RFBD600-12: Rotary Fluid Bed Dryer Ø600mm an average capacity drying system to keep up with HR600 rotary coating process.

The RFBD600-12 system is the first rotary fluid bed dryer size used for commercial production. The RFBD600-12 is available in different lengths and is capable to keep up with the fast process of the HR600 rotary coater. See also our special Integrated Coating Drying Systems catalogue for complete coating/drying installations.



Due to the variety of coating processes and humidity conditions of your specific business we configure the dryers based on our test equipment. Ask us for more information about a dryer for your specific process.

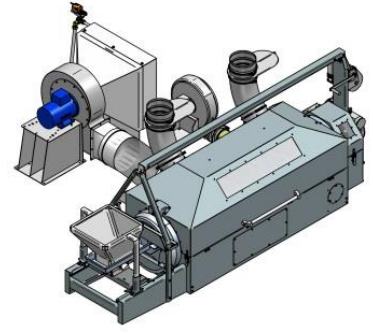
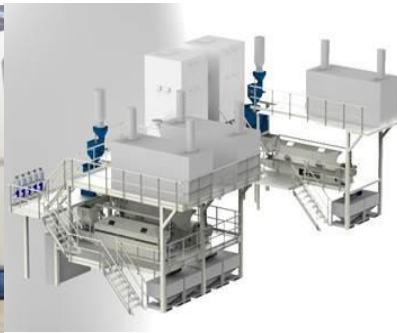
Standard equipped with:

- Manual operated version
- Capacity from 20kg/h encrusting (based on 10 minutes processing time) to 600kg/h basic seed treatment (based on 15 seconds processing time, and 3kg of seeds/batch)
- Frequency controlled process fan
- Frequency controlled drying time
- Cooling fan
- Vibrating seed feed system
- Fully Self cleaning system

Options:

- PLC and Touch panel controlled system.
- Adaption to your already used rotary coating system.
- Several air conditioning options available (depending on your process).
- Cooling unit for cool air supply to cooling fan.

Dryer Models	Model
Cabinet dryer	FBOA
Lab dryer	FBL
Mobile dryer	FBM
Cabinet dryer conditioned	FBOA
Batch dryer	BDS 50
Batch dryer	BDS 150
Batch dryer	BDS 300
Batch dryer	BDS 600
Continuous rotary dryer	RFBD 300
Continuous rotary dryer	RFBD 600-12
Continuous rotary dryer	RFBD 600-19
Continuous rotary conditioner	RFBD 140-6
Continuous rotary conditioner	RFBD 800-6
Continuous rotary conditioner	RFBD 800-11
Cart drying system	100438
Sample cabinet drying	100497



Different drying systems, methods and capacities are available for a perfect follow-up of your specific needs. Please ask for a personalized and detailed offer, linked to your specific needs.

These systems are developed by Hoopman Equipment and Engineering in The Netherlands. Service, support, installation are organized through Rhino in Thailand. This results in a perfect cooperation between high-tech, key-engineering and European top quality with the knowledge of the Asian climate, specific needs and affordable, cost-effective support and services.

Together we can assure that your system will be perfectly suited for your specific needs. The result will be perfectly dried seeds, ready for a correct qualitative storage.

For further questions, please do not hesitate to contact us

Rhino

5/39-40 Phaholyothin Road Soi 73, Sanarnbin,
Don Mueng 10210 Bangkok, Thailand
Office: +66(0)2-531-2570
Email: info@rhino-research.com

www.rhino-research.com
www.dryingbeads.org

