

## Coating Equipment

Coating allows and increases the ability to use on a variety of surfaces and in extreme situations, it minimizes soil cultivation requirements and provides for a reduction of irrigation, as well as the coating giving a controlled application of fertilizer and plant protection agents.

Lab Coating machine: RRC220 – 220 mm. lab equipment is handy, affordable and easy to operate. Ideal for learning – training, for protocol and recipes development. It is perfectly designed for small capacity suitable for vegetable seed and field crops seeds.

Moreover, it is also perfectly sized for coating and encrusting as well as pelleting of seed samples,

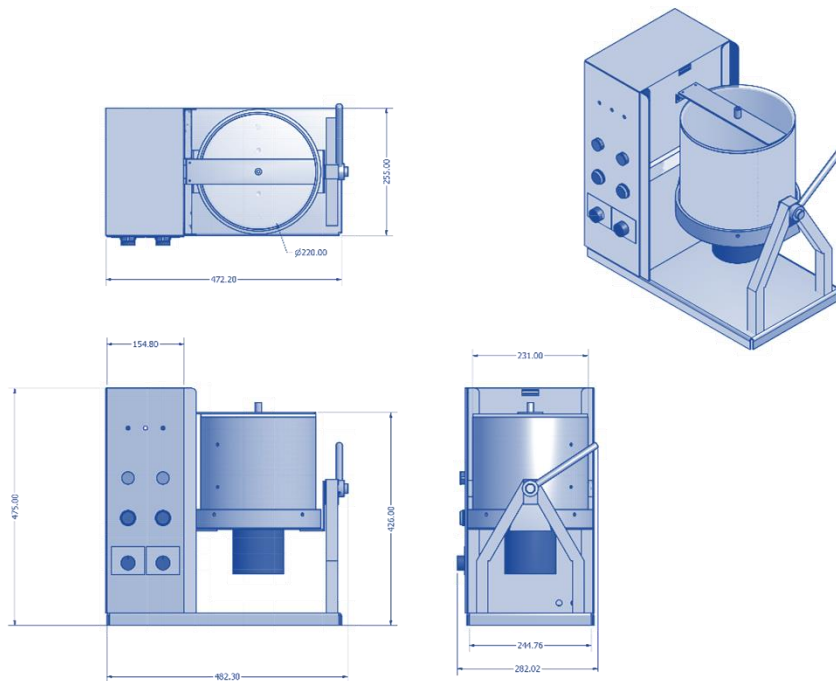


### Option

- Adding peristaltic pump for more precise dosage applied
- Adding air compressor for coating or pelleting with small seeds
- Adding Mini Seed dryer for drying seed after treatment
- Adaptation to using battery DC power for work in field
- Adaptation to other power supplies for different countries are possible

### Features and Benefits

- Suitable for all vegetable seeds, flower seeds and all field crops
- Specially designed for small amount of seeds coating from 100 to 1,000 gram/batch
- Very accurate dosing of seed coating, dressing homogenous distribution and good seeds coverage
- Development of coating recipes
- Perfect for coating, pelleting and encrusting seeds
- Easy to use/operate and maintenance
- Shortest cleaning time when changing seed varieties
- The best quality/price ratio



## Technical Data

<b>Mixing system</b>	Rotor-Stator-Principle
<b>Treatment distribution</b>	Liquid by spinning disk, directly (manually), powder directly (manually)
<b>Batch quantity</b>	100 – 1,000 g
<b>Max. Cap/Hour</b>	Only manual
<b>Compressed air requirement</b>	Not necessary, but advised air compressor connection valve
<b>Dimensions</b>	290 mm(w) x 520 mm(l) x 520 mm(h)
<b>Total Weight</b>	29.5 kg
<b>Mixing chamber</b>	220 mm(Ø) x 220 mm(h)

<b>Power supply</b>	<b>Rotary disk</b>	350 W 24 VDC
	<b>Spinning disk</b>	15W 12 VDC
	<b>Total power consumption</b>	180 W 110 VAC
	*Adaptation to other power supplies are possible	

For further questions, please do not hesitate to contact us

### Rhino

5/39-40 Paholyothin Road Soi 73, Sanambin,  
Don Mueng 10210 Bangkok, Thailand  
Office: +66(0)2-531-2570  
Email: info@rhino-research.com

www.rhino-research.com  
www.dryingbeads.org

# RHINO



Rung Rueng Consulting Co.,Ltd. / Rhino